

Ball valves

VS

Description

The ball valves VS serie are control valves with perfect sealing, that thanks to the shaping of the adjustment disk guarantees a percentage flow characteristic.

Technical specifications

Valve type	BSP 2 way, 3 way mixing / diverting
Fluid	Hot and cold water (with glycole max. 50%) and 15% (103 kPa) saturated steam
Fluid temperature	-5...+120°C at an ambient temperature of 40°C
Nominal pressure	PN20
Leakage	0,01 % of KVs
Control flow characteristics	Equal-percentage A-C, linear for port B bypass
Leakage	Perfect sealing
Max. closing pressure	13 bar
Max. diff. pressure (close-off)	See table below
Maintenance	Free
Valve	Forged brass (from DN15 to DN50), cast iron (DN65 and DN80)
Plug	Stainless steel V2A
Stem	Brass
Seat	EPDM
Seal	HNVR double O-ring
Standards	CE-conformity, RoHS



2-way	Models		DN	KVs	Actuator type(*)	Actuator type	Actuator type with spring return(**)
		3-way					
VS215		VS315	15	4.0	S4..	S5..V	SR5..
VS220		VS320	20	6.3	S4..	S5..V	SR5..
VS225		VS325	25	10	S4..	S5..V	SR5..
VS232		VS332	32	16	S8..	S5..V	SR10..
VS240		VS340	40	25	S8..	S10..V	SR10..
VS250		VS350	50	40	S16..	S10..V	SR15..
VS250B		VS350B	50	63	S16..	S10..V	SR15..
VS265		-	65	63	S16..		SR15..
VS280		-	80	100	S16..		SR15..
VS2100		-	100	120	S32..		-

(*) For coupling valve and actuator adapter VSA is required

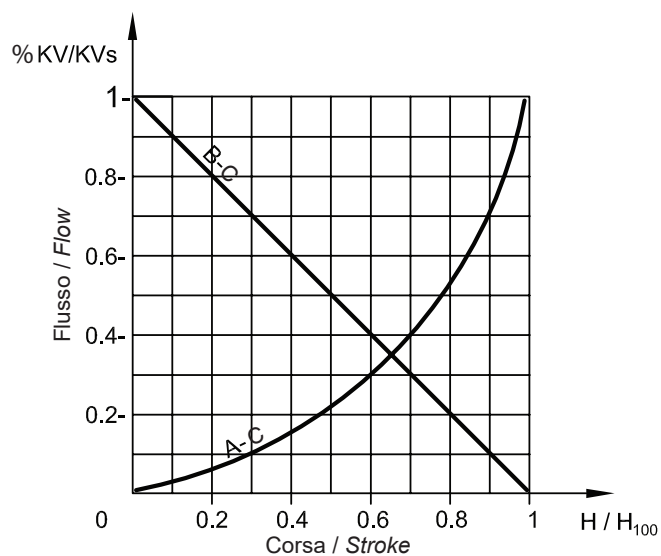
(**) For coupling valve and spring return actuator adapter VSAR is required

Maximum close-off pressure [kPa] with actuator

Model	torque (Nm)	DN15	DN20	DN25	DN32	DN40	DN50
S5..	5	1000	1000	1000	1000	690	400
S10..	10	1400	1400	1400	1400	1000	1000



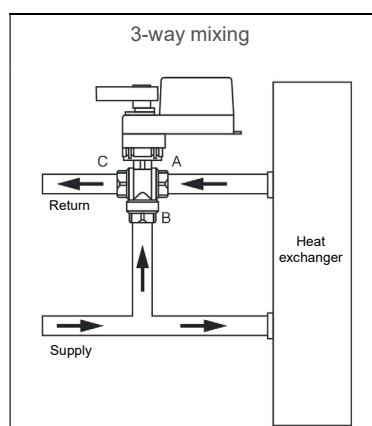
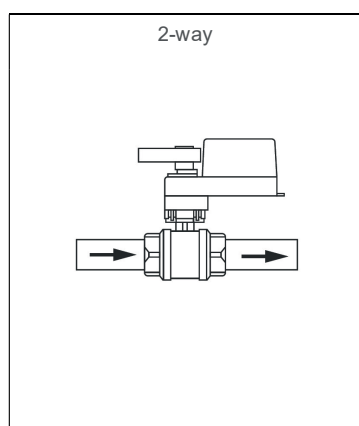
Control flow characteristics



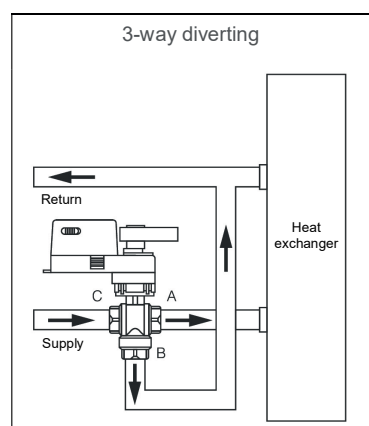
A-C equal-percentage way
 B-C bypass linear way
 3-way used as mixing inlet in A and B, outlet C
 3-way used as diverting inlet in C, outlet from A and B

C way constant flow
A way variable flow
B (bypass) way variable flow

Installation



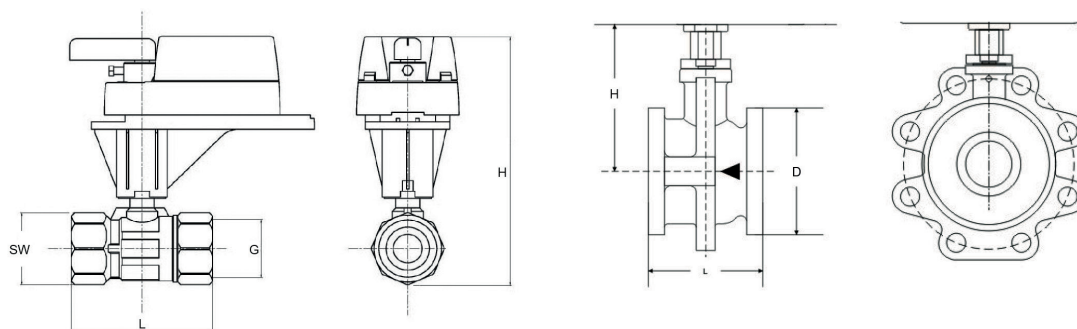
Mixing application:
 Fluid enters through two inlets (A & B) and exits through one outlet (C).



Diverting application:
 Fluid enters through one inlet (C) and exits through two outlets (A & B).

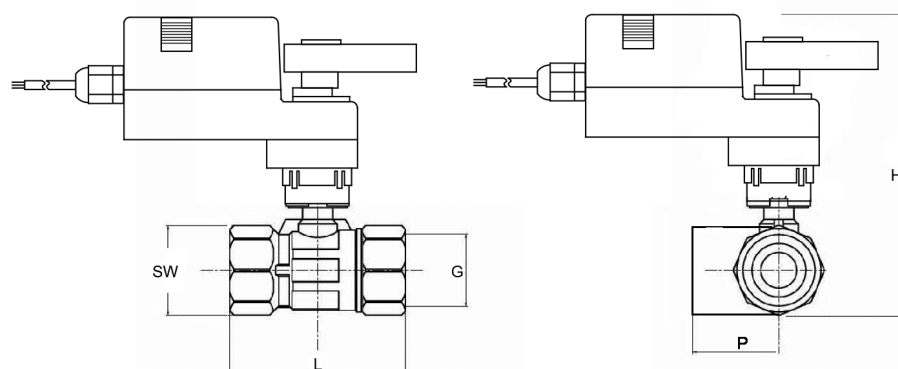


■ Dimensions with actuator S4...S32 (mm)



DN mm	G	L	H	SW	D	Flange	Weight 2 way (kg)	Weight 3 way (kg)
15	G 1/2	60	179,20	26	-	-	0,2	0,25
20	G 3/4	67	187,80	32	-	-	0,35	0,4
25	G 1"	89	193,80	39	-	-	0,55	0,7
32	G 1" 1/4	99	204	48	-	-	0,85	1,1
40	G 1" 1/2	106	212,80	56	-	-	1,2	1,4
50	G 2"	128	224,70	70	-	-	1,95	2,2
65	Flange 145	97	136	-	105	4-18	4,5	-
80	Flange 160	108	140	-	125	8-18	6,8	-
100	Flange 180	120	202	-	125	8-18	8,6	-

■ Dimensions with actuator S5..V and S..10V (mm)



DN mm	G	L	H	SW	P	Weight 2 way (kg)	Weight 3 way (kg)
15	G 1/2	60	137	26	31	0,2	0,25
20	G 3/4	67	142	32	32	0,35	0,4
25	G 1"	89	148	39	46	0,55	0,7
32	G 1" 1/4	99	159	48	49	0,85	1,1
40	G 1" 1/2	106	181,60	56	52	1,2	1,4
50	G 2"	128	192,70	70	69	1,95	2,2
65	Flange 145	97	136	-	-	4,5	-
80	Flange 160	108	140	-	-	6,8	-
100	Flange 180	120	202	-	-	8,6	-